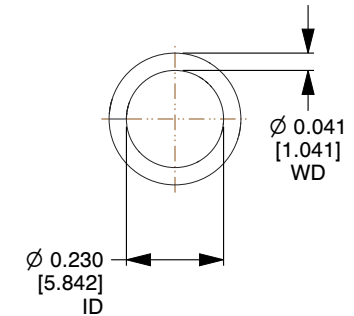
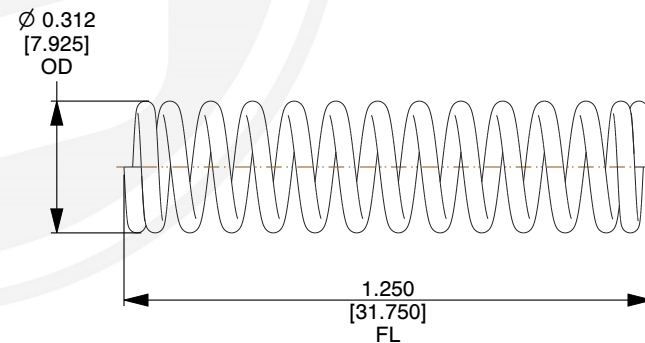


Part Name:	Date: 11/30/2022
Part #: in	<a href="#">PC041-312-14000-HD-1250-C-N-IN</a>
Part #: mm	<a href="#">PC1041-7925-14000-HD-31750-C-N-MM</a>
Spring Type: Compression Spring	End Type: Closed & Squared
Finish: None	Direction of Wind: Right
Material: Music Wire ASTM A228	Spring Index (I): 6.610
Weight / M: 4.471 Lbs	Length of W: 11.919 in



Physical Dimensions	IN	MM	Tolerances (in)
Wire Diameter (WD)	0.041 in	[1.041 mm]	+/- 0.0007
Outer Diameter (OD)	0.312 in	[7.925 mm]	+/- 0.008
Inner Diameter (ID)	0.230 in	[5.842 mm]	+/- 0.008
Free Length (FL)	1.250 in	[31.750 mm]	+/- 0.05
Active Coils (AC)	12.000	[12.000]	+/- 1/4 coil
Total Coils (TC)	14.000	[14.000]	+/- 1/4 coil
Solid Height (SH)	0.615 in	[15.621 mm]	+/- 0.04305

Spring Rate (K)	16.998 lbs/in	2.977 N/mm	+/- 1.69976
Max Load (ML)	9.757 lbf	4.426 N	+/- 1.20531
Max Travel (MT)	0.574 in	14.580 mm	



Notes
-------

Scale: 2.200

This file and any associated information and specifications are provided for reference and evaluation purposes only, and is subject to change without notice. Access Spring makes no representations, warranties or guarantees as to the appropriateness, accuracy, completeness, or suitability for any purpose, of the file, information or specifications. You are solely responsible for the use of the file, information or specification

This Drawing is the property of Access Spring. It may contain confidential, proprietary information, that is Access Spring property. Do not disclose to or duplicate for others except as authorized by Access Spring.